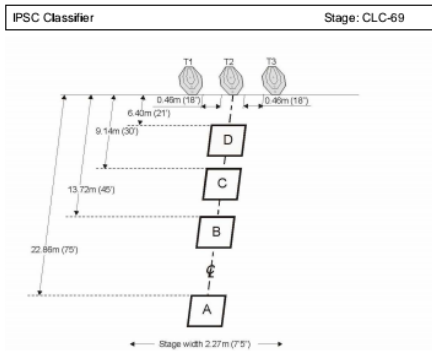


Silesia Classified 1 - IPSC CLC-69 (C-69) - 2019-01-20



Type of Course: Medium Course
 Targets (type & number): 3 IPSC Targets
 No. of rounds to be scored: 24
 Maximum points: 120
 Start position: Standing relaxed in area "A", fading downrange with both hands relaxed by sides.
 Handgun ready condition: Handgun loaded and holstered.
 Procedure: After the audible start signal engage targets with a minimum of two rounds each from within the designated area "A". Then make a mandatory reload and engage targets with a minimum of two rounds each from within the designated area "B". Then make a mandatory reload and engage targets with a minimum of two rounds each from within the designated area "C". Then make another mandatory reload and engage targets with a minimum of two rounds each from within the designated area "D".
 Setup Notes: Set IPSC Targets to 1.52m (5') to the top of the targets. All areas are 0.92m (3') by 0.92m (3').

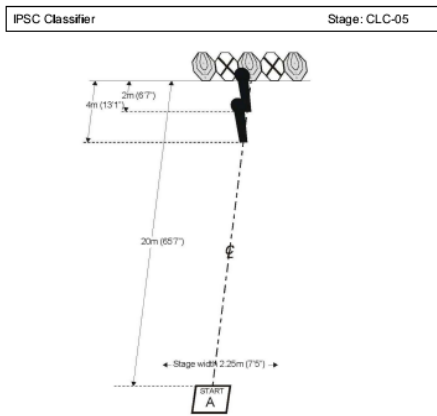
Stage Results - Production

Place	Name	No.	Class	Div	PF	Points	Pen	Time	Hit Factor	Stage Pts	Stage %
1	Nowicki, Grzegorz		P	Min		100	0	19.69	5.0787	120.0000	100.00 %
2	Kaletka, Zbigniew		P	Min		94	0	18.86	4.9841	117.7642	98.14 %
3	Wichary, Andrzej		P	Min		104	0	23.95	4.3424	102.6018	85.50 %
4	Bismor, Dariusz		P	Min		93	10	20.81	3.9885	94.2395	78.53 %
5	Kępa, Filip		P	Min		116	0	31.65	3.6651	86.5987	72.17 %
6	Pajestka, Marek		P	Min		91	10	23.66	3.4235	80.8904	67.41 %
7	Janicki, Piotr		P	Min		91	10	24.38	3.3224	78.5016	65.42 %
8	Gawęda, Bogusław		P	Min		82	20	22.43	2.7642	65.3115	54.43 %
9	Janicki, Jacek		P	Min		86	0	33.17	2.5927	61.2604	51.05 %
10	Kostuń, Remigiusz		P	Min		99	10	42.85	2.0770	49.0757	40.90 %
11	Chrobok, Piotr		P	Min		80	20	29.74	2.0175	47.6691	39.72 %
12	Lis, Tomasz		P	Min		91	10	41.91	1.9327	45.6661	38.06 %
13	Blaski, Adam		P	Min		94	20	39.74	1.8621	43.9978	36.66 %
14	Wydra, Damian		P	Min		82	40	23.59	1.7804	42.0677	35.06 %
15	Pieronkiewicz, Kamil		P	Min		41	90	84.64	0.0000	0.0000	0.00 %

Stage Results - Standard

Place	Name	No.	Class	Div	PF	Points	Pen	Time	Hit Factor	Stage Pts	Stage %
1	Rogozinski, Stefan		S	Min		102	0	18.18	5.6106	120.0000	100.00 %
2	Smoter, Jakub		S	Min		118	0	21.35	5.5269	118.2113	98.51 %
3	Sadlon, Bartosz		S	Min		110	0	22.60	4.8673	104.1020	86.75 %
4	Wieslaw, Burzec		S	Min		110	0	23.44	4.6928	100.3714	83.64 %
5	Kania, Paweł		S	Min		94	0	23.41	4.0154	85.8819	71.57 %
6	Sanecznik, Krzysztof		S	Min		98	0	24.54	3.9935	85.4135	71.18 %
7	Górecki, Grzegorz		S	Min		108	0	31.22	3.4593	73.9888	61.66 %
8	Barwicki, Karol		S	Min		93	10	30.88	2.6878	57.4878	47.91 %
9	Turakiewicz, Leszek		S	Maj		82	40	19.21	2.1864	46.7624	38.97 %

Silesia Classified 1 - IPSC CLC-05 (C-05) - 2019-01-20



Type of Course: Short Course
 Targets (type & number): 3 IPSC Targets, 2 IPSC Popper, 2 No Shoots
 No. of rounds to be scored: 8
 Maximum points: 40
 Start position: Standing relaxed in area 'A', facing downrange with both hands relaxed by sides.
 Handgun ready condition: Handgun loaded and holstered.
 Procedure: After the audible start signal engage targets from within the designated area 'A'.
 Setup Notes: Set IPSC Targets/No Shoots to 1.52m (5') to the top of the targets. Area 'A' is 1m (3'3") by 1m (3'3").

Stage Results - Production

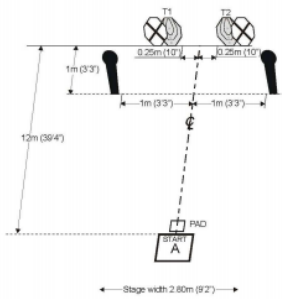
Place	Name	No.	Class	Div	PF	Points	Pen	Time	Hit Factor	Stage Pts	Stage %
1	Kaletka, Zbigniew			P	Min	36	0	6.84	5.2632	40.0000	100.00 %
2	Pajestka, Marek			P	Min	36	0	7.50	4.8000	36.4800	91.20 %
3	Nowicki, Grzegorz			P	Min	28	0	8.12	3.4483	26.2069	65.52 %
4	Gawęda, Bogusław			P	Min	30	0	9.08	3.3040	25.1101	62.78 %
5	Kępa, Filip			P	Min	34	0	10.64	3.1955	24.2857	60.71 %
6	Janicki, Piotr			P	Min	26	0	8.57	3.0338	23.0572	57.64 %
7	Chrobok, Piotr			P	Min	32	10	8.70	2.5287	19.2184	48.05 %
8	Bismor, Dariusz			P	Min	27	10	6.87	2.4745	18.8064	47.02 %
9	Lis, Tomasz			P	Min	20	0	8.47	2.3613	17.9457	44.86 %
10	Janicki, Jacek			P	Min	36	0	16.34	2.2032	16.7442	41.86 %
11	Wichary, Andrzej			P	Min	29	10	9.98	1.9038	14.4689	36.17 %
12	Wydra, Damian			P	Min	29	20	14.63	0.6152	4.6753	11.69 %
13	Blaski, Adam			P	Min	24	20	9.86	0.4057	3.0832	7.71 %
14	Kostuń, Remigiusz			P	Min	17	30	16.84	0.0000	0.0000	0.00 %
15	Pieronkiewicz, Kamil			P	Min	12	50	25.81	0.0000	0.0000	0.00 %

Stage Results - Standard

Place	Name	No.	Class	Div	PF	Points	Pen	Time	Hit Factor	Stage Pts	Stage %
1	Kania, Paweł			S	Min	34	0	6.11	5.5646	40.0000	100.00 %
2	Barwicki, Karol			S	Min	30	0	6.27	4.7847	34.3935	85.98 %
3	Sanecznik, Krzysztof			S	Min	34	0	7.44	4.5699	32.8495	82.12 %
4	Sadlon, Bartosz			S	Min	34	0	7.89	4.3093	30.9759	77.44 %
5	Turakiewicz, Leszek			S	Maj	31	0	9.17	3.3806	24.3005	60.75 %
6	Smoter, Jakub			S	Min	27	10	7.25	2.3448	16.8552	42.14 %
7	Wiesław, Burzec			S	Min	29	10	8.68	2.1889	15.7346	39.34 %
8	Górecki, Grzegorz			S	Min	21	10	18.48	0.5952	4.2787	10.70 %
9	Rogozinski, Stefan			S	Min	16	40	5.65	0.0000	0.0000	0.00 %

Silesia Classified 1 - IPSC CLC-35 (C-35) - 2019-01-20

IPSC Classifier Stage: CLC-35



Type of Course: Short Course
 Targets (type & number): 2 IPSC Targets, 2 IPSC Popper, 2 No Shoots
 No. of rounds to be scored: 6
 Maximum points: 30
 Start position: Standing relaxed in area 'A', facing downrange with both hands relaxed by sides. All magazines will be placed on a pad on the ground in front of the competitor.
 Handgun ready condition: Unloaded handgun placed on the pad, muzzle pointing downrange.
 Procedure: After the audible start signal engage targets from within the designated area 'A'.
 Setup Notes: Set IPSC Targets/No Shoots to 1.52m (5') to the top of the targets. Area 'A' is 0.92m (3') by 0.92m (3').

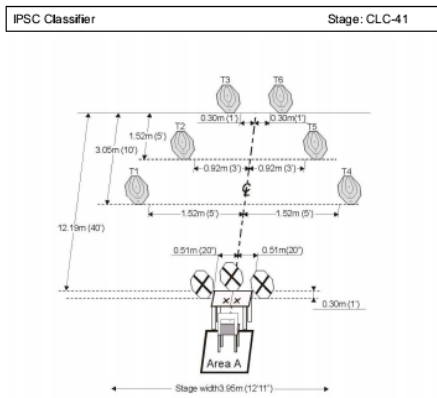
Stage Results - Production

Place	Name	No.	Class	Div	PF	Points	Pen	Time	Hit Factor	Stage Pts	Stage %
1	Nowicki, Grzegorz			P	Min	28	0	6.19	4.5234	30.0000	100.00 %
2	Kaletka, Zbigniew			P	Min	22	0	5.43	4.0516	26.8706	89.57 %
3	Gawęda, Bogusław			P	Min	28	0	7.83	3.5760	23.7165	79.05 %
4	Bismor, Dariusz			P	Min	24	0	7.19	3.3380	22.1379	73.79 %
5	Pajestka, Marek			P	Min	26	0	8.42	3.0879	20.4793	68.26 %
6	Blaski, Adam			P	Min	30	0	10.08	2.9762	19.7385	65.80 %
7	Chrobok, Piotr			P	Min	28	0	9.83	2.8484	18.8911	62.97 %
8	Janicki, Piotr			P	Min	26	0	9.38	2.7719	18.3833	61.28 %
9	Lis, Tomasz			P	Min	30	10	9.92	2.0161	13.3713	44.57 %
10	Janicki, Jacek			P	Min	24	0	14.18	1.6925	11.2251	37.42 %
11	Kępa, Filip			P	Min	24	0	14.32	1.6760	11.1153	37.05 %
12	Wichary, Andrzej			P	Min	30	20	10.96	0.9124	6.0512	20.17 %
13	Pieronkiewicz, Kamil			P	Min	22	0	33.75	0.6519	4.3232	14.41 %
14	Wydra, Damian			P	Min	21	20	10.36	0.0965	0.6402	2.13 %
15	Kostuń, Remigiusz			P	Min	21	20	11.46	0.0873	0.5787	1.93 %

Stage Results - Standard

Place	Name	No.	Class	Div	PF	Points	Pen	Time	Hit Factor	Stage Pts	Stage %
1	Rogozinski, Stefan			S	Min	28	0	5.79	4.8359	30.0000	100.00 %
2	Smoter, Jakub			S	Min	24	0	6.34	3.7855	23.4836	78.28 %
3	Wieslaw, Burzec			S	Min	28	0	7.97	3.5132	21.7942	72.65 %
4	Turakiewicz, Leszek			S	Maj	29	0	8.51	3.4078	21.1403	70.47 %
5	Sanecznik, Krzysztof			S	Min	24	0	8.12	2.9557	18.3357	61.12 %
6	Kania, Paweł			S	Min	20	0	6.82	2.9326	18.1923	60.64 %
7	Barwicki, Karol			S	Min	20	0	8.82	2.2676	14.0671	46.89 %
8	Sadlon, Bartosz			S	Min	30	0	16.34	1.8360	11.3897	37.97 %
9	Górecki, Grzegorz			S	Min	30	0	32.38	0.9265	5.7476	19.16 %

Silesia Classified 1 - IPSC CLC-41 (C-41) - 2019-01-20



Type of Course:	Short Course
Targets (type & number):	6 IPSC Targets, 3 No Shoots
No. of rounds to be scored:	12
Maximum points:	60
Start position:	Seated on the chair in area 'A', elbows on 'X'-marks.
Handgun ready condition:	Handgun loaded and holstered.
Procedure:	After the audible start signal engage targets T1, T2 and T3 (or T4, T5 and T6) with two rounds per target from within the designated area 'A'. Make a mandatory reload and engage the remaining targets with two rounds per target from within the designated area 'A'.
Setup Notes:	Set IPSC Targets/No Shoots to 1.52m (5') to the top of the targets. Area 'A' is 1.22m (4') by 1.22m (4'). 'X'-marks are 0.15m (5') right and left of the centerline and 0.15m (5') from the edge of the table. The bases of all No Shoots are set at table height.

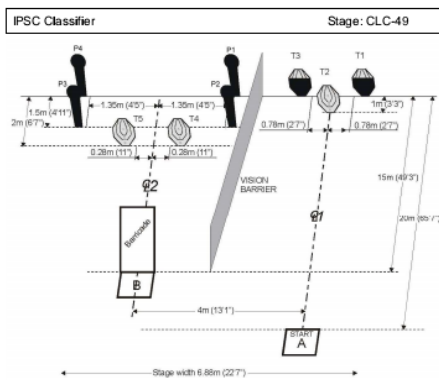
Stage Results - Production

Place	Name	No.	Class	Div	PF	Points	Pen	Time	Hit Factor	Stage Pts	Stage %
1	Kaletka, Zbigniew			P	Min	54	0	8.90	6.0674	60.0000	100.00 %
2	Gawęda, Bogusław			P	Min	48	0	9.07	5.2922	52.3337	87.22 %
3	Wichary, Andrzej			P	Min	52	0	12.48	4.1667	41.2037	68.67 %
4	Pajestka, Marek			P	Min	48	0	12.01	3.9967	39.5226	65.87 %
5	Bismor, Dariusz			P	Min	49	10	10.12	3.8538	38.1094	63.52 %
6	Nowicki, Grzegorz			P	Min	32	0	9.44	3.3898	33.5217	55.87 %
7	Wydra, Damian			P	Min	45	10	10.46	3.3461	33.0890	55.15 %
8	Kępa, Filip			P	Min	45	10	11.67	2.9991	29.6582	49.43 %
9	Chrobok, Piotr			P	Min	48	0	16.14	2.9740	29.4093	49.02 %
10	Janicki, Piotr			P	Min	39	10	11.89	2.4390	24.1192	40.20 %
11	Lis, Tomasz			P	Min	50	0	21.91	2.2821	22.5671	37.61 %
12	Kostuń, Remigiusz			P	Min	50	0	29.02	1.7229	17.0381	28.40 %
13	Janicki, Jacek			P	Min	41	10	19.34	1.6029	15.8509	26.42 %
14	Blaski, Adam			P	Min	47	10	30.01	1.2329	12.1922	20.32 %
15	Pieronkiewicz, Kamil			P	Min	6	80	39.37	0.0000	0.0000	0.00 %

Stage Results - Standard

Place	Name	No.	Class	Div	PF	Points	Pen	Time	Hit Factor	Stage Pts	Stage %
1	Górecki, Grzegorz			S	Min	54	0	8.47	6.3754	60.0000	100.00 %
2	Smoter, Jakub			S	Min	52	0	10.14	5.1282	48.2621	80.44 %
3	Wieslaw, Burzec			S	Min	48	0	9.53	5.0367	47.4012	79.00 %
4	Barwicki, Karol			S	Min	34	0	7.31	4.6512	43.7726	72.95 %
5	Sanecznik, Krzysztof			S	Min	40	0	9.53	4.1973	39.5010	65.83 %
6	Kania, Paweł			S	Min	42	0	11.40	3.6842	34.6725	57.79 %
7	Sadlon, Bartosz			S	Min	46	0	12.83	3.5853	33.7421	56.24 %
8	Turakiewicz, Leszek			S	Maj	57	0	16.40	3.4756	32.7093	54.52 %
9	Rogozinski, Stefan			S	Min	40	20	8.01	2.4969	23.4984	39.16 %

Silesia Classified 1 - IPSC CLC-49 (C-49) - 2019-01-20



Type of Course: Medium Course
 Targets (type & number): 5 IPSC Targets, 4 IPSC Popper
 No. of rounds to be scored: 14
 Maximum points: 70
 Start position: Kneeling (both knees on the ground) in area 'A', facing downrange with both hands on top of the head.
 Handgun ready condition: Handgun loaded and holstered.
 Procedure: After the audible start signal engage targets T1-T3 from within the designated area 'A'. Then proceed to area 'B' and engage all remaining targets from behind the barricade from within the designated area 'B'.
 Setup Notes: Set IPSC Targets to 1.52m (5') to the top of the targets. Areas 'A' and 'B' are 0.92m (3') by 0.92m (3'). Hand cover on IPSC Targets T1 and T3 cover from notch to notch, as shown. The barricade is 0.92m (3') wide and 1.83m (6') high.

Stage Results - Production

Place	Name	No.	Class	Div	PF	Points	Pen	Time	Hit Factor	Stage Pts	Stage %
1	Gawęda, Bogusław			P	Min	58	0	16.51	3.5130	70.0000	100.00 %
2	Kaletka, Zbigniew			P	Min	61	10	17.13	2.9772	59.3239	84.75 %
3	Kępa, Filip			P	Min	55	10	24.55	1.8330	36.5240	52.18 %
4	Janicki, Piotr			P	Min	53	10	23.71	1.8136	36.1372	51.62 %
5	Lis, Tomasz			P	Min	55	10	24.90	1.8072	36.0106	51.44 %
6	Bismor, Dariusz			P	Min	49	10	21.95	1.7768	35.4036	50.58 %
7	Nowicki, Grzegorz			P	Min	55	10	25.45	1.7682	35.2324	50.33 %
8	Janicki, Jacek			P	Min	60	0	43.98	1.3643	27.1840	38.83 %
9	Kostuń, Remigiusz			P	Min	57	10	34.56	1.3600	27.0982	38.71 %
10	Wydra, Damian			P	Min	51	10	31.37	1.3070	26.0427	37.20 %
11	Wichary, Andrzej			P	Min	51	30	28.15	0.7460	14.8648	21.24 %
12	Blaski, Adam			P	Min	51	30	28.40	0.7394	14.7339	21.05 %
13	Chrobok, Piotr			P	Min	43	30	26.24	0.4954	9.8718	14.10 %
14	Pajestka, Marek			P	Min	44	40	21.12	0.1894	3.7738	5.39 %
15	Pieronkiewicz, Kamil			P	Min	29	70	91.24	0.0000	0.0000	0.00 %

Stage Results - Standard

Place	Name	No.	Class	Div	PF	Points	Pen	Time	Hit Factor	Stage Pts	Stage %
1	Wieslaw, Burzec			S	Min	56	0	21.12	2.6515	70.0000	100.00 %
2	Rogozinski, Stefan			S	Min	48	0	19.90	2.4121	63.6784	90.97 %
3	Górecki, Grzegorz			S	Min	64	0	26.71	2.3961	63.2572	90.37 %
4	Sadlon, Bartosz			S	Min	49	10	17.88	2.1812	57.5839	82.26 %
5	Sanecznik, Krzysztof			S	Min	57	10	22.53	2.0861	55.0732	78.68 %
6	Turakiewicz, Leszek			S	Maj	54	20	18.67	1.8211	48.0771	68.68 %
7	Kania, Paweł			S	Min	50	20	18.33	1.6367	43.2079	61.73 %
8	Smoter, Jakub			S	Min	54	20	23.64	1.4382	37.9695	54.24 %
9	Barwicki, Karol			S	Min	51	30	17.84	1.1771	31.0762	44.39 %